

DRAWING MADE IN THIRD ANGLE PROJECTION

© COPYRIGHT 1977 BY AMP INCORPORATED, HARRISBURG, PA.
 ALL INTERNATIONAL RIGHTS RESERVED. AMP INCORPORATED PRODUCTS
 COVERED BY U. S. PATENTS AND/OR PATENTS PENDING.

UNLESS OTHERWISE SPECIFIED, ALL DIMENSIONS ARE IN MILLIMETERS
 UNLESS OTHERWISE SPECIFIED, ALL DIMENSIONS ARE IN MILLIMETERS
 UNLESS OTHERWISE SPECIFIED, ALL DIMENSIONS ARE IN MILLIMETERS

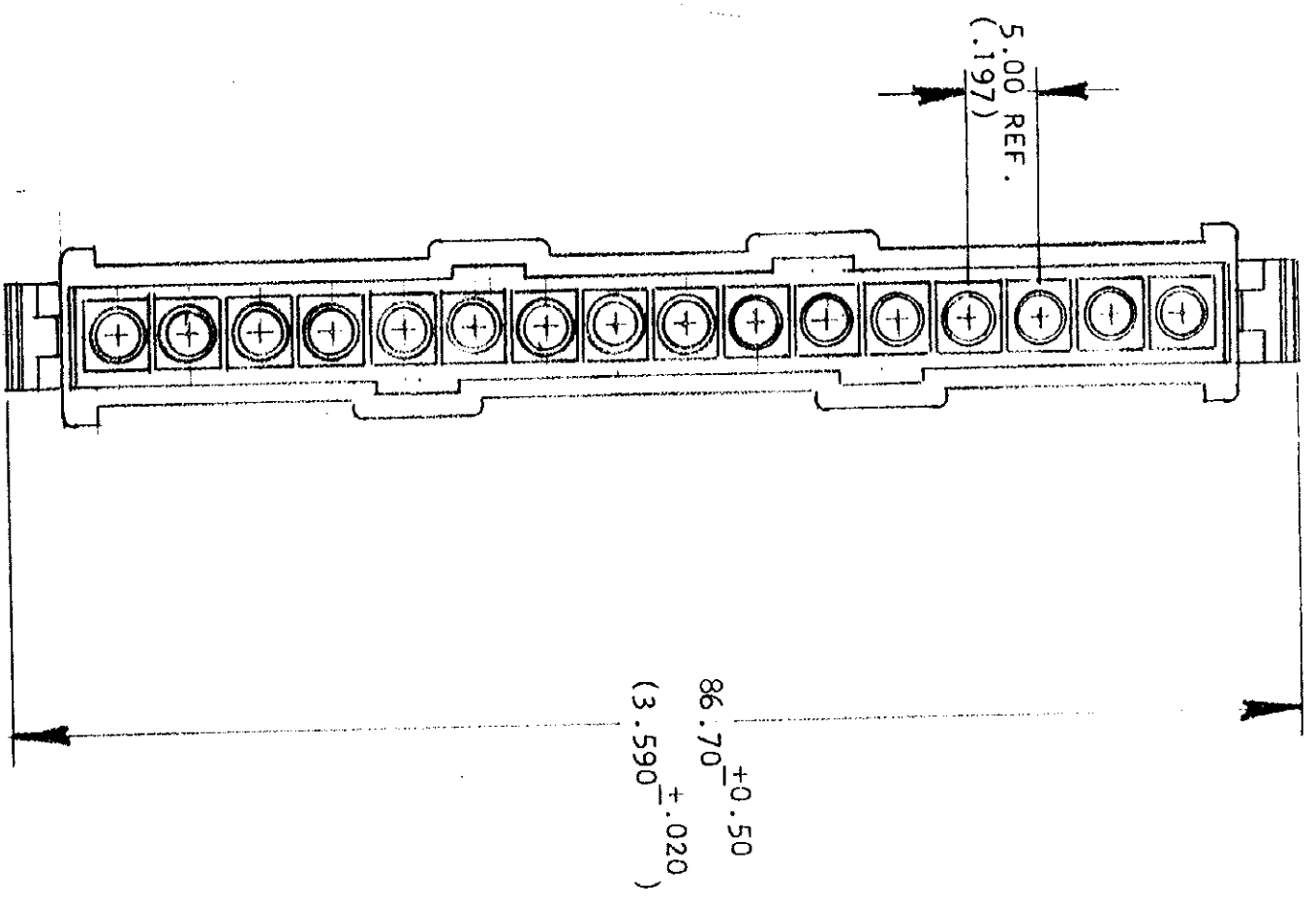
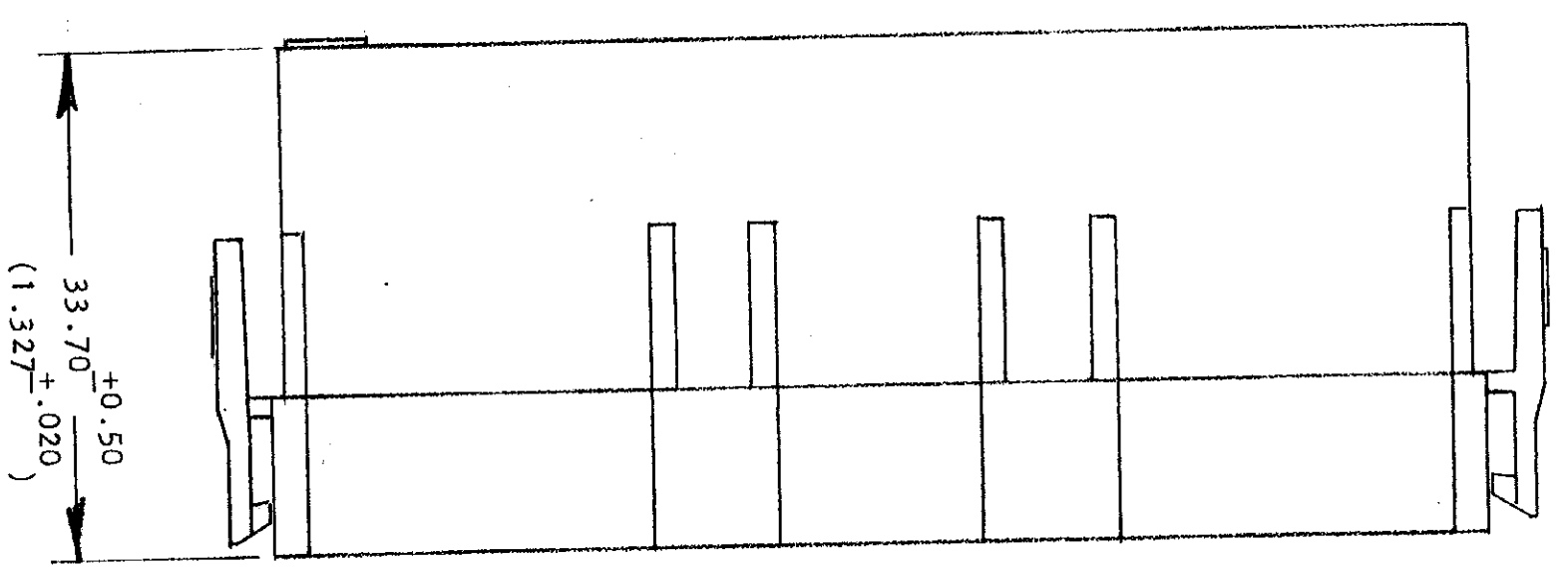
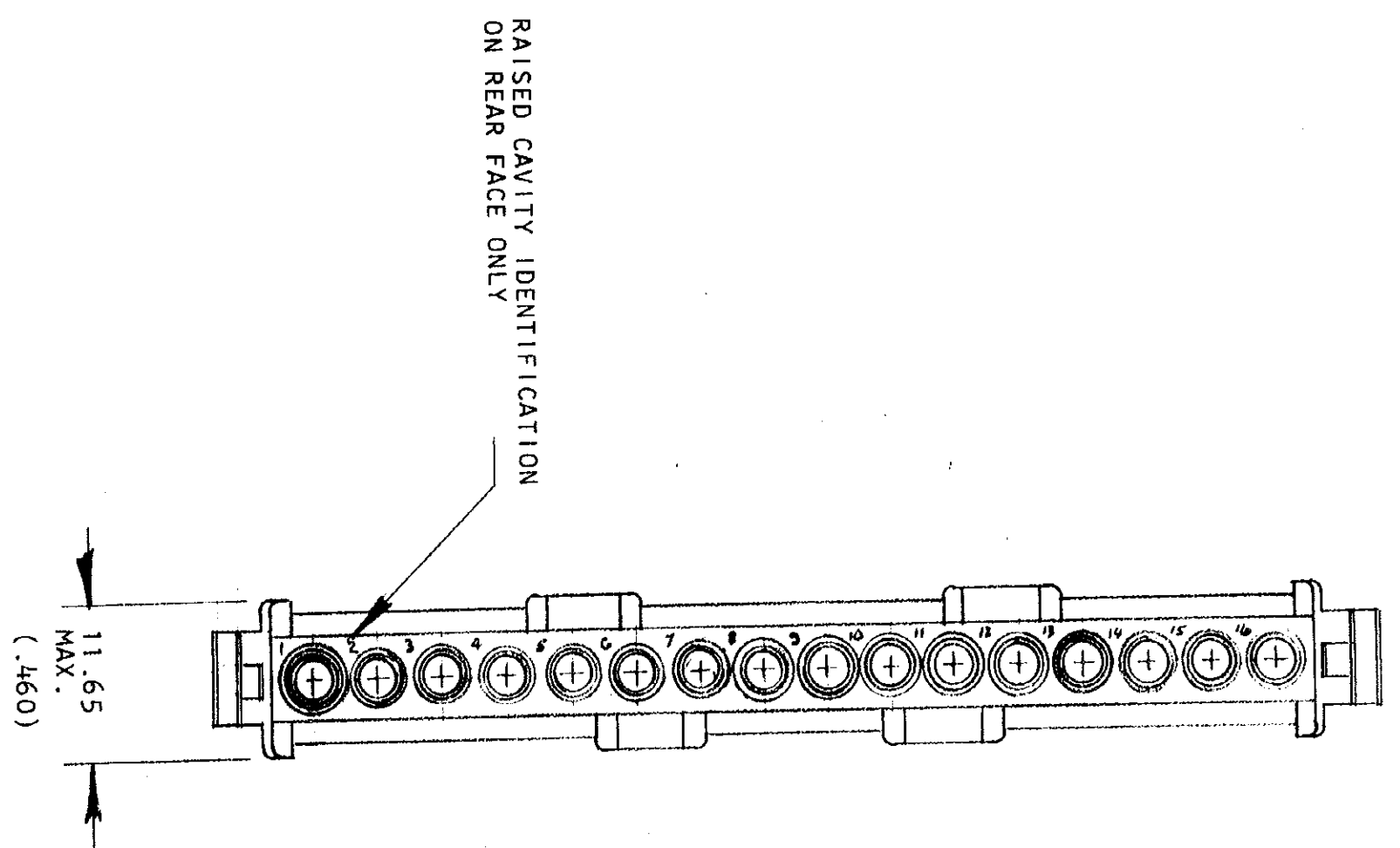
207543 -1 1. AS SHOWN.

3

2

1

REVISIONS		DATE	APPROVED
P	F ZONE		
LTR			
0	RELEASED WAS 5019-113	11/23/77	KA/11/23/77



1. INCH DIMENSIONS ARE IN PARENTHESIS AND SHOWN FOR REFERENCE ONLY.

UNLESS OTHERWISE SPECIFIED DIMENSIONS ARE IN MILLIMETERS TOLERANCES ON: DECIMALS ±0.25 (.010) ANGLES		CONTRACT NO	DR	11/22/77	NAME	HOUSING, RECEPTACLE, 16 POS., IN-LINE, FREE HANGING — SMALL METRIC CONNECTOR —
MATERIAL THERMOPLASTIC	COLOR: RED	FINISH	DSGN APPD	12/21/77	AMP INCORPORATED Harrisburg, Pa.	SIZE CODE IDENT NO
			OTHER APPD	12/21/77		DRAWING NO
						207543
						SCALE
						00779
						SHEET 1 OF 1

CUSTOMER DRAWING

CUST 207543